



Irreversible operators for swing gate TINY

► **TINY24**
Operator 24V for leaf up to 3 m

► **TINY230**
Operator 230V for leaf up to 3 m

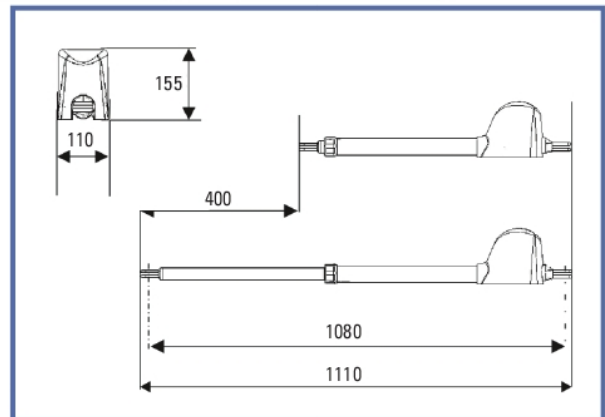
Gearing completely made of solid steel and bronze

Stainless steel shaft and painted zinc-coated steel pipe

Unlocking system with Allen wrench included

Adjustable and non-welding rear and front bracket included

Technical Features		TINY24	TINY230
Max leaf length	m	3	3
Max leaf weight	kg	250	300
Main power supply		230 V-50/60 HZ	
Motor power supply		24 Vdc	230 Vac
Mechanical motor power	W	30	40
Current absorption	A	2,5	0,8
Capacitor	µF	-	6
Thermic protection	°C	-	150
Max thrust	N	1500	2200
Operating temperature	°C	-20 + +60	
Protection degree	IP	54	
Duty	%	70	30
Operator weight	kg	3,5	4



LEB ELECTRONICS S.R.L

Via Caduti del Lavoro, 1-Zona Industriale
25010 - Acquafredda (BS) ITALY

T: +39 030 99 67 296 F: +39 030 96 66 954

www.leb-electronics.com E:info@leb-electronics.com



Authorised Dealer